

# ULTIMA FLAT PACK WALL BOXES

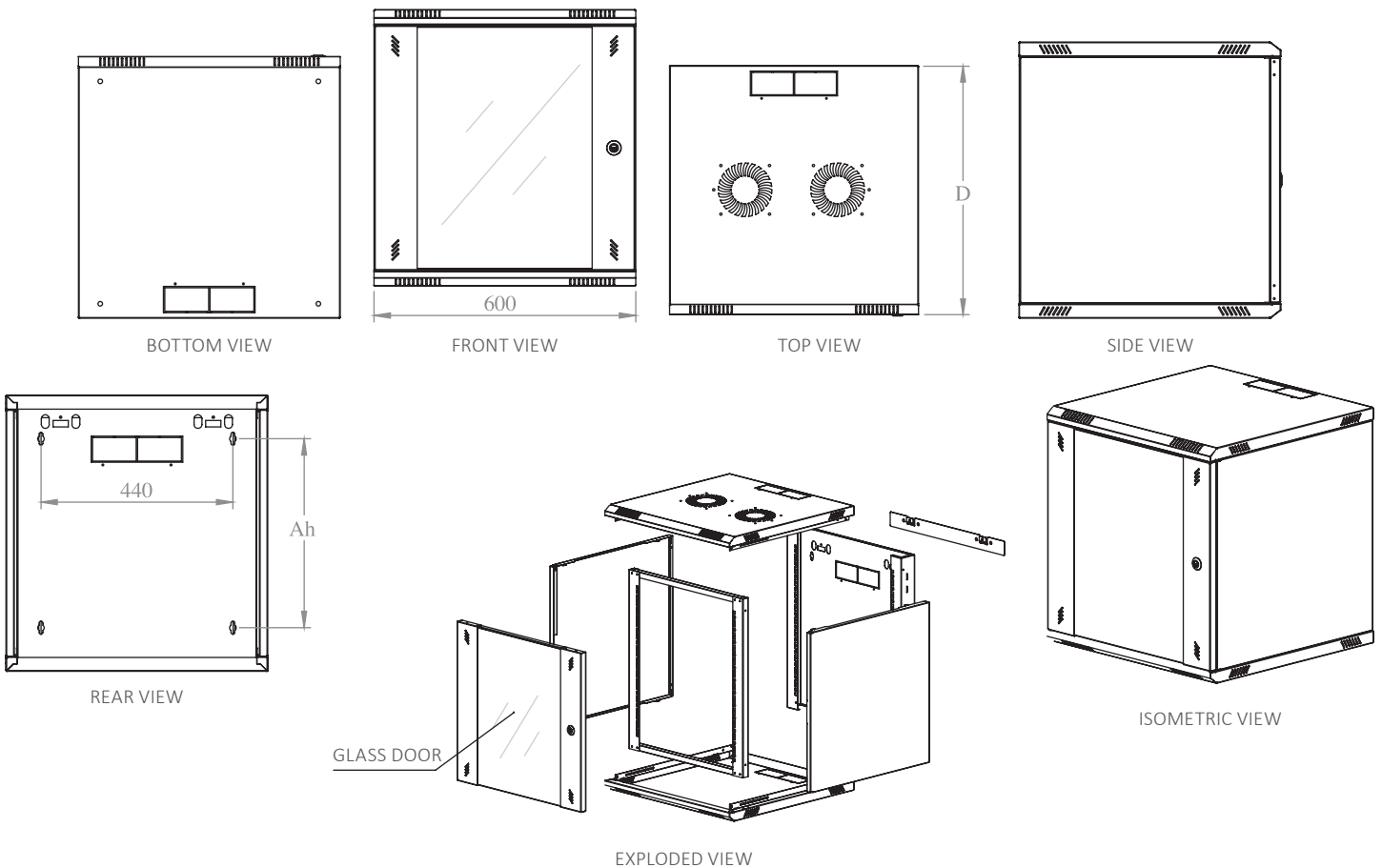
## Technical Information



Flat pack wall boxes offering superior load performance. Suitable for housing a wide range of equipment such as switches, patch panels and cables, telecom equipment, PDUs, UPS's and batteries. 600mm wide they are available in 6 heights from 6U through to 21U and two depths 450mm or 600mm.

### Features:

- ◆ Supplied in flat pack form
- ◆ Lockable toughened glass door with quick release hinges
- ◆ Door can be hinged left or right
- ◆ Secure side panels with a hidden spring loaded pin system (side panels can only be opened when the front door is unlocked)
- ◆ Rigid bolt together construction, with superior load capability (12U version tested with 100kg)
- ◆ 19" mounting rails included. Front rails with U height markings and adjustable in depth, the rear rails are fixed to the rear frame
- ◆ The top cover has 2 x vented areas to aid ventilation and fitment of single or twin fans for forced air cooling
- ◆ Cable entry positions are provided in the top, base and rear with knockout pieces
- ◆ Wall fixing bracket included (fixings not supplied, based on wall structure ie, brick, concrete, plasterboard)
- ◆ Paint finish is RAL 9005 black fine wrinkle soft touch paint

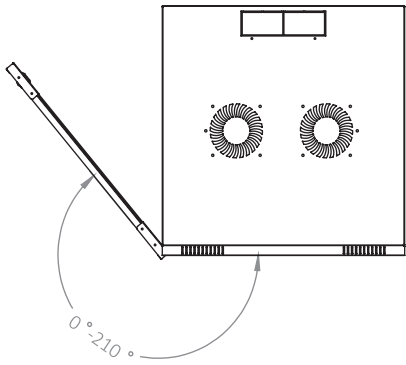


Part Definition	Material Quality	Material Thickness (mm)	Shipment Configuration
Main Body (Structure)	DIN EN 10130-DC-01-6112 CRS	0.8mm	1
Front Door	EN 12150-1 Tempered Secure Glass	4.0mm	1
19" Equipment Mounting Rails	DIN EN 10130-DC-01-6112 CRS	1.2mm	2
Rear Body Frame	DIN EN 10130-DC-01-6112 CRS	1.0mm	1
Side Panels	DIN EN 10130-DC-01-6112 CRS	0.8mm	2
Wall Entry Hanging Bracket	DIN EN 10130-DC-01-6112 CRS	1.5mm	1

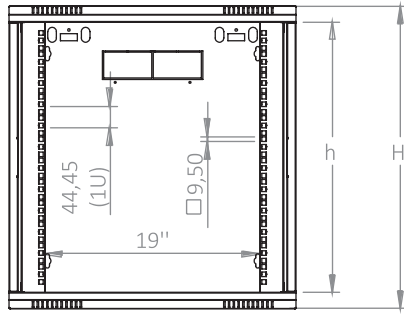
Ah	Alignment Height
h	Internal Height
H	Overall Height
D	Depth

# ULTIMA FLAT PACK WALL BOXES

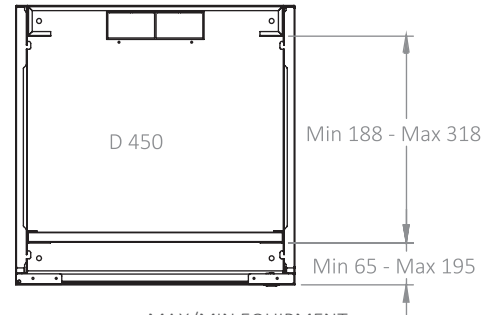
## Technical Information



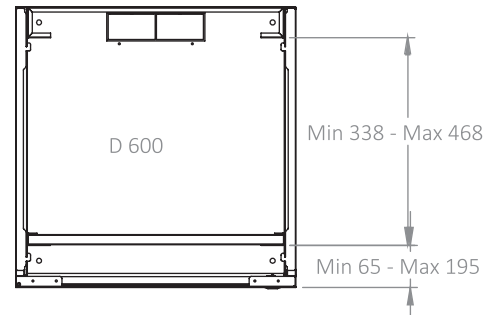
FRONT DOOR OPENING ANGLE



DIMENSIONS IN WIDTH & HEIGHT



MAX/MIN EQUIPMENT MOUNTING DISTANCE (450)



MAX/MIN EQUIPMENT MOUNTING DISTANCE (600)

	AH - Alignment Height	h - Internal Height	H - Overall Height	D - Depth
4U	78	210	278	450-600
6U	167	299	367	450-600
9U	301	432	500	450-600
12U	434	565	633	450-600
15U	567	698	766	450-600
18U	700	832	900	450-600
21U	834	934	1033	450-600

## Standards & Compliance

<b>Structure</b>	EN 60297 mechanical structures for electrical and electronic equipment
	EN 60917 modular order for the development of mechanical structures for electronic equipment practices
	EN 61587-1 Mechanical structures for electronic equipment - Tests for IEC 60917 and IEC 60297 series - Part 1: Environmental requirements, test set-up and safety aspects for cabinets, racks, sub racks and chassis under indoor conditions
	Climatic and environment: EN 61587-1/4.2, IEC60068-2-1, IEC60068-2-2, IEC60068-2-30
<b>Door</b>	EN 12150-1 compliant tempered, anti-static, secure, grinded edges glass front door- t: 4,0mm DIN 1743, DIN 53571, RoHS compliant barrel quarter turn lock on front door
<b>Mechanical Load</b>	Static mechanical load lifting: EN 61587-1/5.2.1 Dynamic mechanical load vibration and shock, impact: EN61587-1/5.3.1, EN61587-1/5.3.3, IEC60068-2-6, IEC60068-2-27
<b>Earth Bond</b>	EN61587-1/6.2
<b>Flammability</b>	EN 61587-1/6.3
<b>Protection</b>	IP20, EN61587-1/6.4
<b>Finish</b>	EN 13501-1+ A1- epoxy powder coated compliant to fire classification of construction products and building elements Part 1: classification using data from reaction to fire tests
	Epoxy powder coating tested as per EN ISO 9227 and ASTM B 117 corrosion tests in artificial atmospheres - salt spray tests
	EN ISO 2409 paints and varnishes - cross-cut test EN ISO 2178 non-magnetic coatings on magnetic substrates - measurement of coating thickness - magnetic method
<b>Compliance</b>	RoHS compliancy according to 2011/65/EU
	CE compliant to EN 60950-1

# ULTIMA FLAT PACK WALL BOXES



## Technical Information

<b>Materials</b>	Sheet steel compliant to EN 10130 cold rolled sheet steel with DC-01 6112 or 7122 grade  Fixing elements are compliant to connection elements (bolt, nuts, shim, etc.) "DIN 7985, DIN 965, DIN 7981, DIN 934, DIN 985, DIN 933-coated according to EN ISO 2081 metallic and other inorganic coatings - electroplated coatings of zinc with supplementary treatments on iron or steel.
<b>Production Standards</b>	ISO 9001- Quality Management System  ISO 14001- Environmental Management System 04

## Part Numbers

Item	Description	Capacity (U)	Height (mm)	Width (mm)	Depth (mm)	Net Weight (Gross Weight)	Colour
822998	Flat Pack Wall Box	6U	367	600	450	13Kg (14.6Kg)	Black
822999	Flat Pack Wall Box	9U	500	600	450	15.8Kg (17.3Kg)	Black
823000	Flat Pack Wall Box	12U	633	600	450	18.8Kg (19.7Kg)	Black
823001	Flat Pack Wall Box	6U	367	600	600	15.4Kg (17.4Kg)	Black
823002	Flat Pack Wall Box	9U	500	600	600	18Kg (20Kg)	Black
823003	Flat Pack Wall Box	12U	633	600	600	21.8Kg (24.1Kg)	Black
923004	Flat Pack Wall Box	15U	767	600	600	26.2Kg (28.5Kg)	Black
823005	Flat Pack Wall Box	18U	900	600	600	27.6Kg (29.9Kg)	Black
823325	Flat Pack Wall Box	21U	1033	600	600	30.6Kg (33.2Kg)	Black